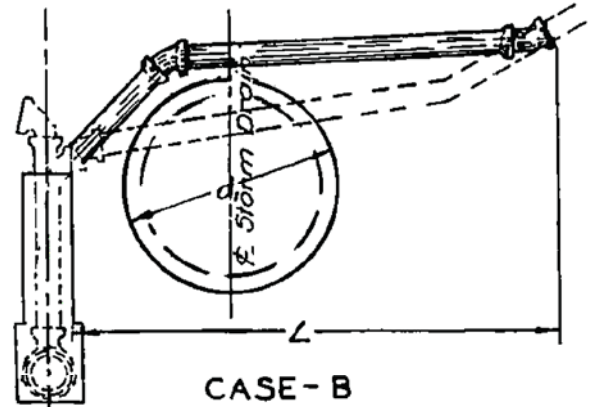


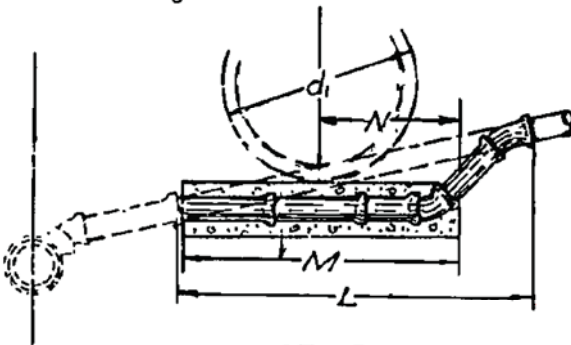
CASE - A

Above Storm Drain to House Connection - Specials required: 2-4 1/8 Bends



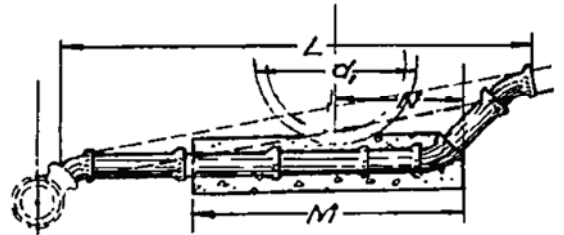
CASE - B

Above Storm Drain to Chimney - Specials required: 2-4 1/8 Bends.



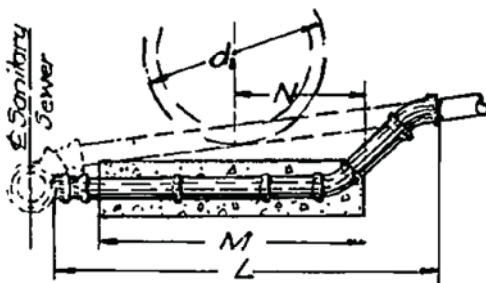
CASE - C

Below Storm Drain to House Connection - Specials required: 2-4 1/8 Bends



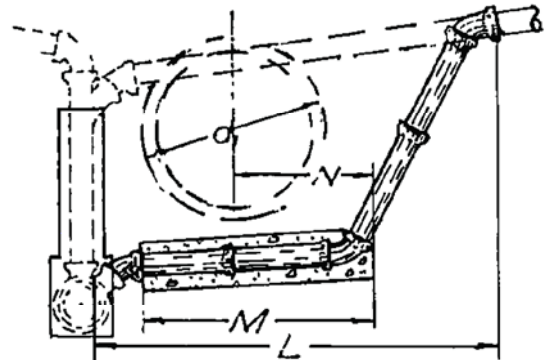
CASE - D

Below Storm Drain to Y - Specials required: 3-4 1/8 Bends.



CASE - E

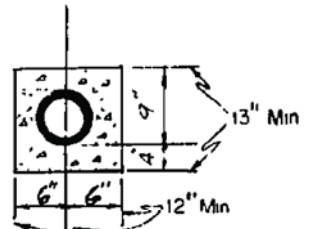
Below Storm Drain to Flat Saddle - Specials required: 3-4 1/8 Bends, 1 Saddle



CASE - F

Below Storm Drain to Saddle - Specials required 3-4 1/8 Bends, 1 Saddle

FOR NOTES SEE STANDARD
DRAWING No. 808 SHEET 2



Cross Section of Concrete Reinforcement
For 4" Pipe

CITY OF RIV. STD. NO. 454



RIVERSIDE COUNTY FLOOD CONTROL
AND
WATER CONSERVATION DISTRICT
APPROVED BY:
Warren D. Will Lays
CHIEF ENGINEER
DATE: April 5, 2004

REMODELING DETAILS
HOUSE CONNECTION
SEWERS
STANDARD DRAWING NUMBER M808
SHEET 1 OF 2

R.C.E. NO. 32336