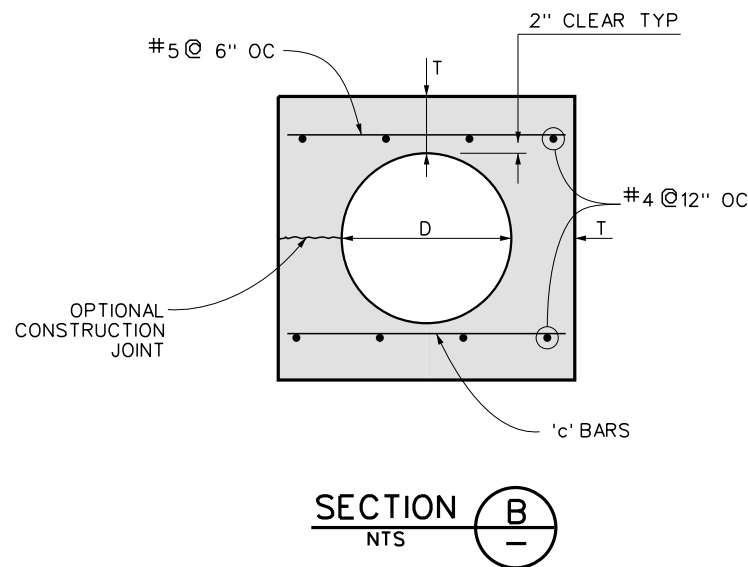
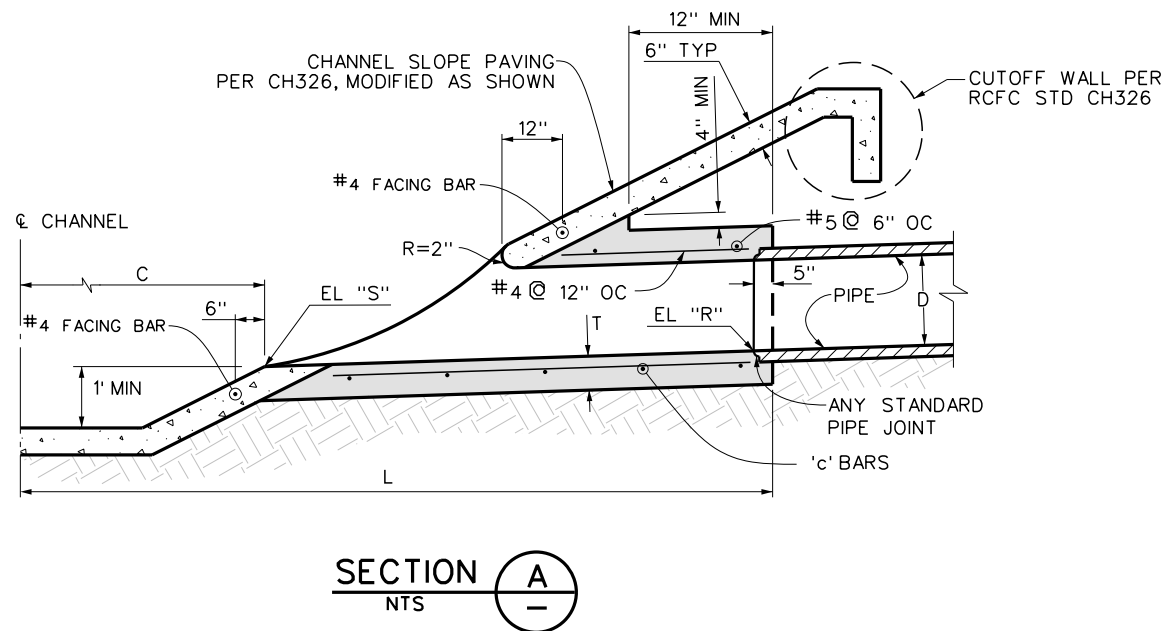
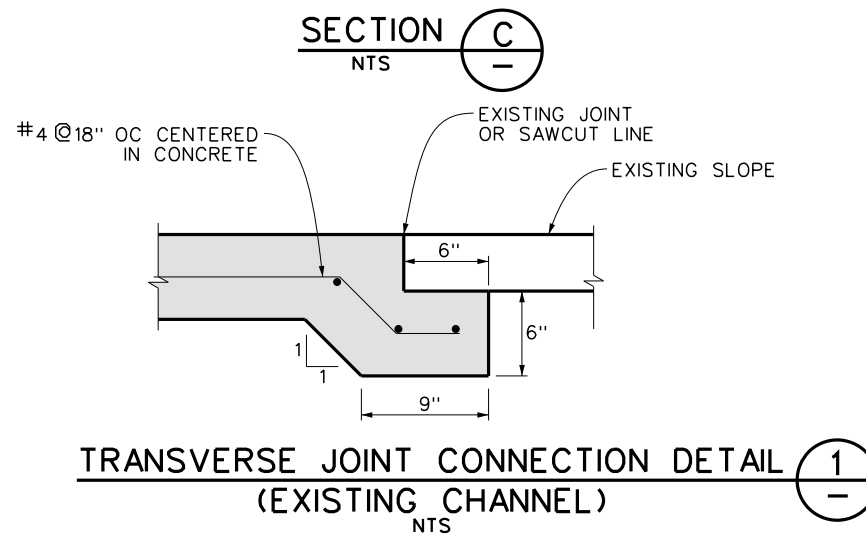


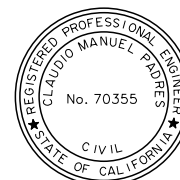
**TABLE**  
FOR DIMENSIONS & BAR SIZES  
D=18"-84"

D (IN)	T (IN)	'c' BARS
18	9	NONE
24	9	
30	9	
36	8	#4 @ 12"
42	8	
48	8	
54	9	
60	10	
66	11	
72	11	
84	13	



**NOTES**

- ANGLE A SHALL BE BETWEEN 45° AND 90°.
- VALUES FOR D, L, C, EL. R, EL. S, ANGLE A & STATION "X" ARE SHALL BE SPECIFIED ON PROJECT DRAWINGS.
- REINFORCING BARS SHALL BE PLACED 2" CLEAR FROM FACE OF CONCRETE. TYPICAL UNLESS OTHERWISE NOTED.
- CONCRETE SHALL BE CLASS "A".
- REINFORCEMENT SHALL BE PROVIDED IN ALL PORTIONS OF THE JUNCTION STRUCTURE AS INDICATED ON DRAWINGS REGARDLESS OF BAR LENGTH MODIFICATION REQUIRED TO ACHIEVE PROPER CLEARANCES.
- INSTALLATION OF LATERAL PIPE SHALL BE IN CONFORMANCE TO DISTRICT STD M815.
- UNLESS OTHERWISE SPECIFIED, REMOVE AND REPLACE CHANNEL SLOPE PANEL PER STD CH326 (INCLUDING SLOPE THICKNESS, REINFORCING STEEL, WEEPHOLES, AND TRANSVERSE JOINTS).
- TRANSVERSE JOINT CONNECTION SHALL BE CONSTRUCTED PER DETAIL 1 HEREIN FOR EXISTING CHANNELS.



RIVERSIDE COUNTY FLOOD CONTROL AND WATER CONSERVATION DISTRICT

APPROVED BY: *J. Uhley*

GENERAL MANAGER / CHIEF ENGINEER

DATE: 7-2-2019

R.C.E. NO. 59795

APPROVED BY: *Claudio Padres*

CHIEF, DESIGN & CONSTRUCTION

DATE: 7-2-2019

R.C.E. NO. 70355

JUNCTION STRUCTURE NO. 6

STANDARD DRAWING NUMBER JS231 SHEET 1 OF 1