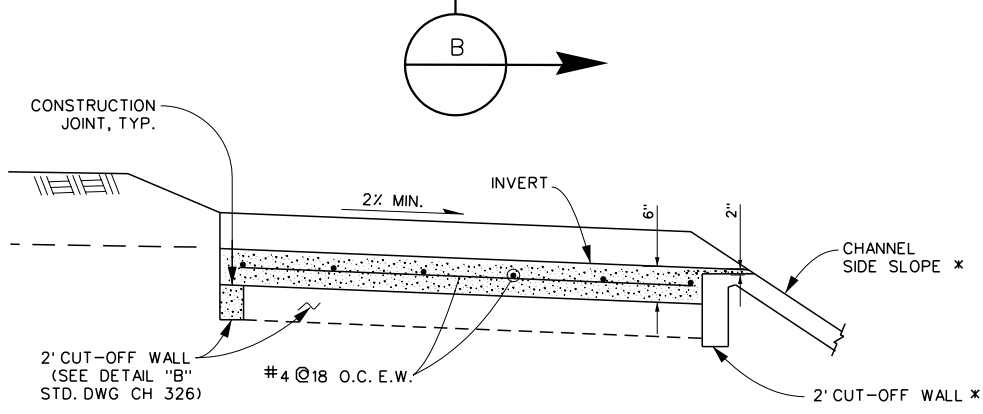
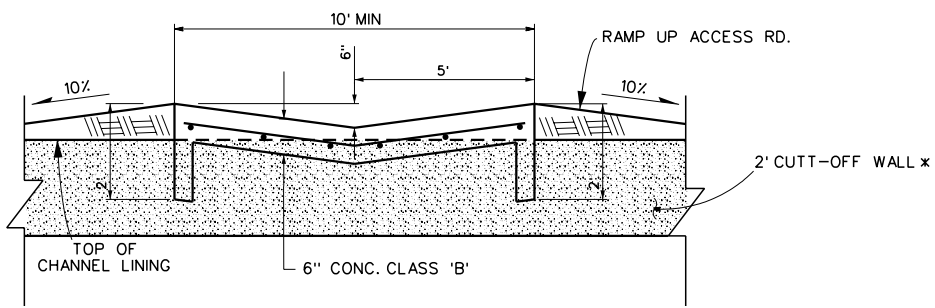


PLAN



SECTION A



SECTION B

\* NOTES:  
DRAINAGE APRON MAY ALSO BE USED FOR RECTANGULAR CHANNEL ACCESS ROADS.



RIVERSIDE COUNTY FLOOD CONTROL AND WATER CONSERVATION DISTRICT	
APPROVED BY:	<i>Warren D. Will Lavin</i>
CHIEF ENGINEER	
DATE: April 5, 2004	

DRAINAGE APRON FOR ACCESS ROAD  
STANDARD DRAWING NUMBER CH333