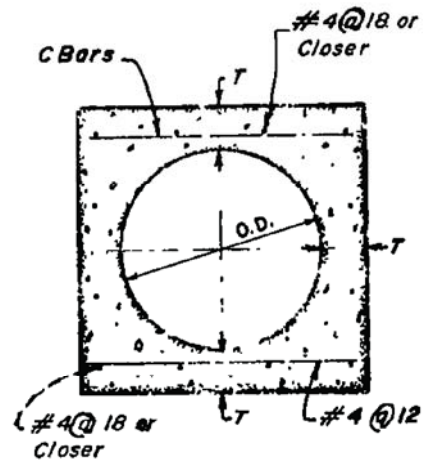


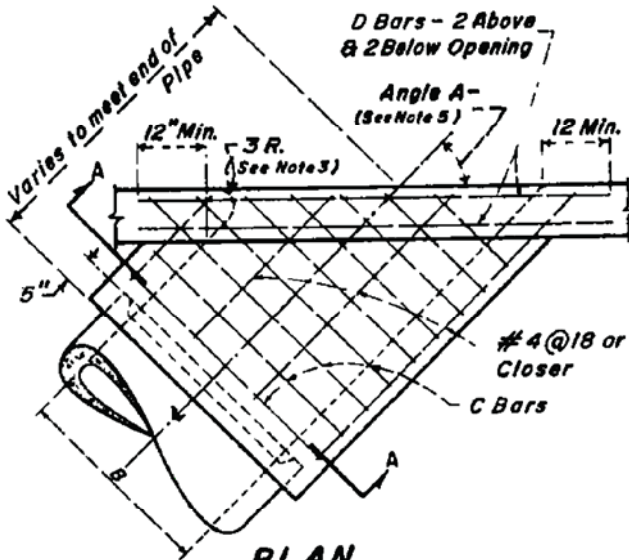
**PLAN
CORNER CONNECTION**



SECTION A-A

NOTES

1. Reinforcing steel shall be 1/2" clear from inside face of concrete unless otherwise shown.
2. Reinforcing steel for inside face of Catch Basin wall shall be cut at center of opening and bent into walls of monolithic connection. Reinforcing steel for outside face of Catch Basin wall shall be cut 2" clear of opening.
3. Connection shall be poured monolithic with Catch Basin. The rounded edge of outlet shall be constructed by pouring concrete against a curved form with a radius of 3."
4. Floor of structure shall be steel-troweled to spring line.
5. Connections shall be constructed where
 - (a). Pipes, 12 inches through 72 inches in diameter, inlet or outlet through corner of Catch Basin at an angle less than 40°
 - (b). Angle A, for pipes 24 inches through 30 inches in diameter, is less than 45°.



**PLAN
SIDE CONNECTION**

B	T	C bars	D B E bars	B	T	C bars	D B E bars
12"	4"	#4 @ 6	#5	42"	7 1/4"	#5 @ 6	#6
15"	4 1/4"			45"	7 3/4"		
18"	4 1/2"			48"	8"		
21"	5"			51"	8 1/4"		
24"	5 1/4"			54"	8 1/2"		
27"	5 1/2"			57"	9"		
30"	6"			60"	9 1/4"		
33"	6 1/4"			63"	10"		
36"	6 1/2"			66"	10 1/4"		
39"	7"			69"	10 3/4"		
				72"	11"		

L.A.C.F.C.D. STD. NO. 2-D224



RIVERSIDE COUNTY FLOOD CONTROL AND WATER CONSERVATION DISTRICT
 APPROVED BY: *Warren D. Williams*
 CHIEF ENGINEER
 DATE: April 5, 2004

SPECIAL CONNECTIONS TO CATCH BASIN
 STANDARD DRAWING NUMBER CB109

R.C.E. NO. 32336