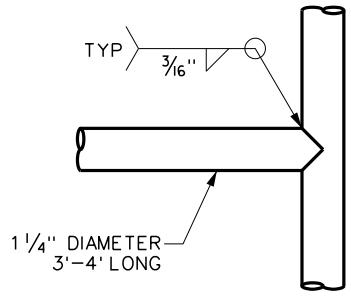


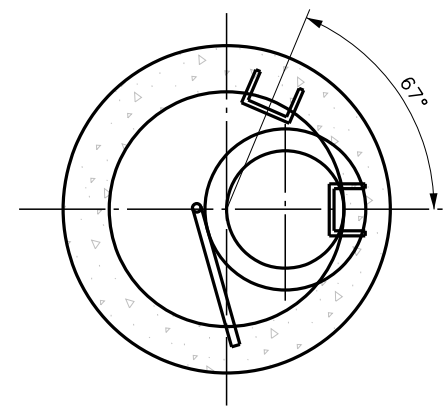
VERTICAL SECTION

NOTES

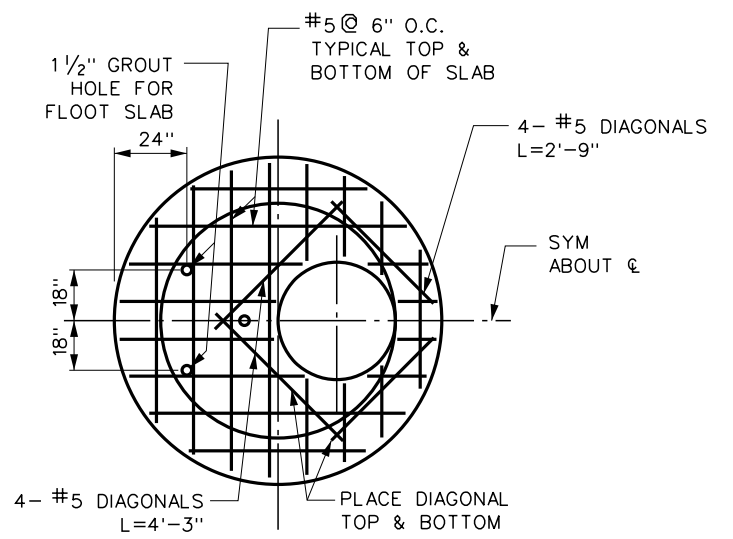
1. MANHOLE SHAFT SAFETY LEDGE WILL BE NOTED ON THE PROJECT DRAWINGS WHEN REQUIRED. IT IS TO BE CONSTRUCTED WHEN DEPTH OF MANHOLE TO INVERT IS GREATER THAN 20' AND MANHOLE SHAFT IS GREATER THAN 10'.
2. A SAFETY LEDGE SHALL NOT BE USED IF A PRESSURE MANHOLE IS REQUIRED.
3. STEPS SHALL CONFORM TO STANDARD DRAWING MH259 AND SHALL BE ANCHORED 4" IN THE WALL OF THE STRUCTURE. STEPS SHALL BE PLACED TO MATCH THE SPACING OF THE MANHOLE SHAFT.
4. REINFORCEMENT SHALL BE PER ASTM A 615, GRADE 40 AND SHALL TERMINATE 2" CLEAR OF CONCRETE SURFACES UNLESS OTHERWISE SHOWN.
5. GROUT HOLES, PIPE AND FITTINGS SHALL BE PROVIDED IN THE FLOOR SLAB. PRESSURE GROUTING SHALL BE USED TO FILL VOIDS AND TO SECURE UNIFORM BEARING. THE GROUT SHALL BE NEAT CEMENT GROUT AND GROUTING PRESSURES SHALL BE AS DETERMINED IN THE FIELD BY THE ENGINEER.
6. PIPE AND RAIL SHALL BE FABRICATED OF 1/4" STANDARD GALVANIZED PIPE COMPOSED OF TWO SECTIONS 7'-6" AND 18" IN LENGTH JOINED BY A GALVANIZED COUPLING. THE COUPLING SHALL BE THREADED A MINIMUM OF 2" ON EACH PIPE LENGTH.
7. ROOF AND FLOOR SLABS SHALL BE PRECAST AND KEYED FOR REINFORCED CONCRETE PIPE SECTIONS AS SHOWN. ALL JOINTS SHALL BE FILLED WITH CLASS C MORTAR AND NEATLY POINTED OR WIPED ON THE INSIDE.
8. 72" RCP SHALL BE PROVIDED WITH TWO CIRCULAR CAGES OF REINFORCEMENT.



DETAIL 1
ROTATED 90°



SECTION A



SECTION B



RIVERSIDE COUNTY FLOOD CONTROL AND WATER CONSERVATION DISTRICT	
APPROVED BY:	APPROVED BY:
GENERAL MANAGER - CHIEF ENGINEER	CHIEF, DESIGN
DATE: 10-24-2024	DATE: 10-24-2024
R.C.E. NO. 59795	R.C.E. NO. 72196

MANHOLE SHAFT SAFETY LEDGE

STANDARD DRAWING NUMBER MH261
SHEET 1 OF 1