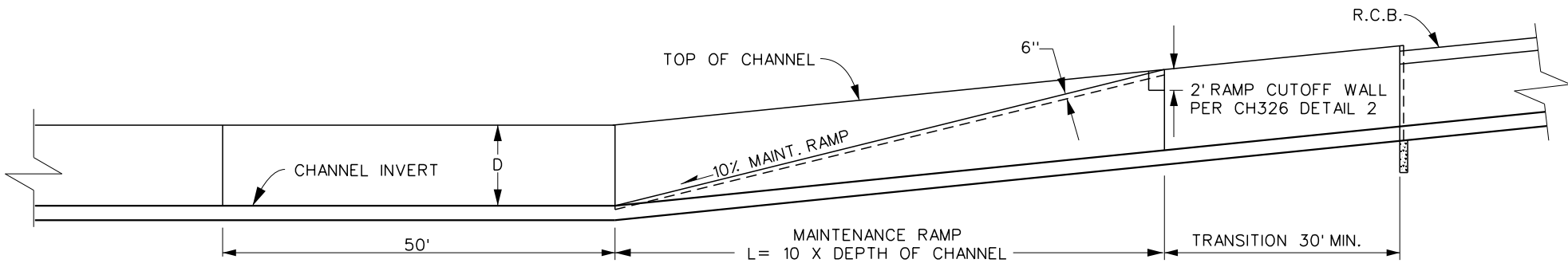


**PLAN OF VERTICAL WALL CHANNEL**  
NTS



**SECTION A-A**  
NTS



RIVERSIDE COUNTY FLOOD CONTROL AND WATER CONSERVATION DISTRICT	
APPROVED BY: <i>[Signature]</i> GENERAL MANAGER - CHIEF ENGINEER	APPROVED BY: <i>[Signature]</i> CHIEF, DESIGN
DATE: 3-27-2024	DATE: 3-27-2024
R.C.E. NO. 59795	R.C.E. NO. 72196

**MAINTENANCE RAMP  
FOR  
VERTICAL WALL CHANNEL**  
STANDARD DRAWING NUMBER CH331  
SHEET 1 OF 1