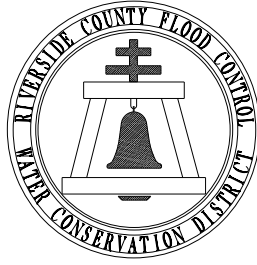
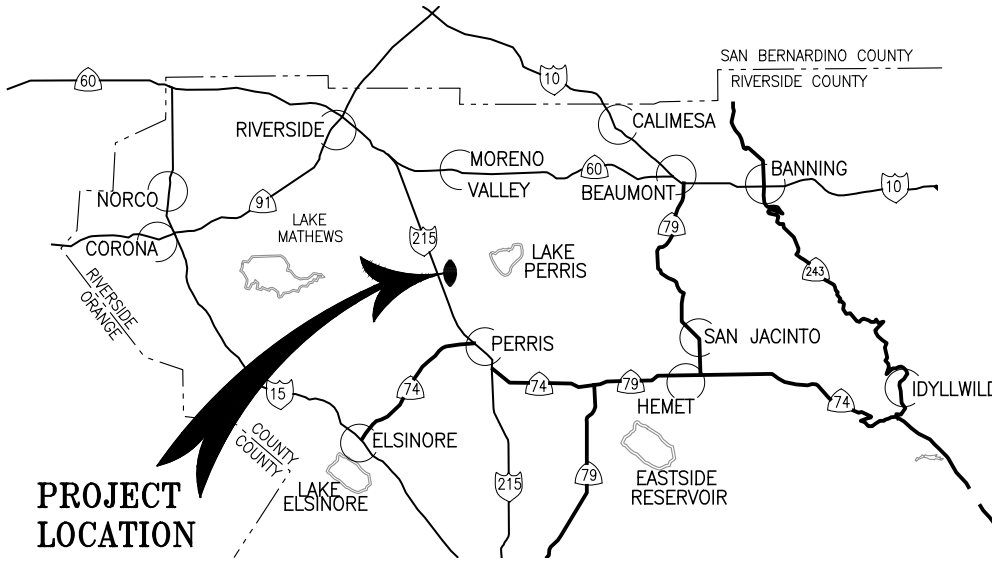


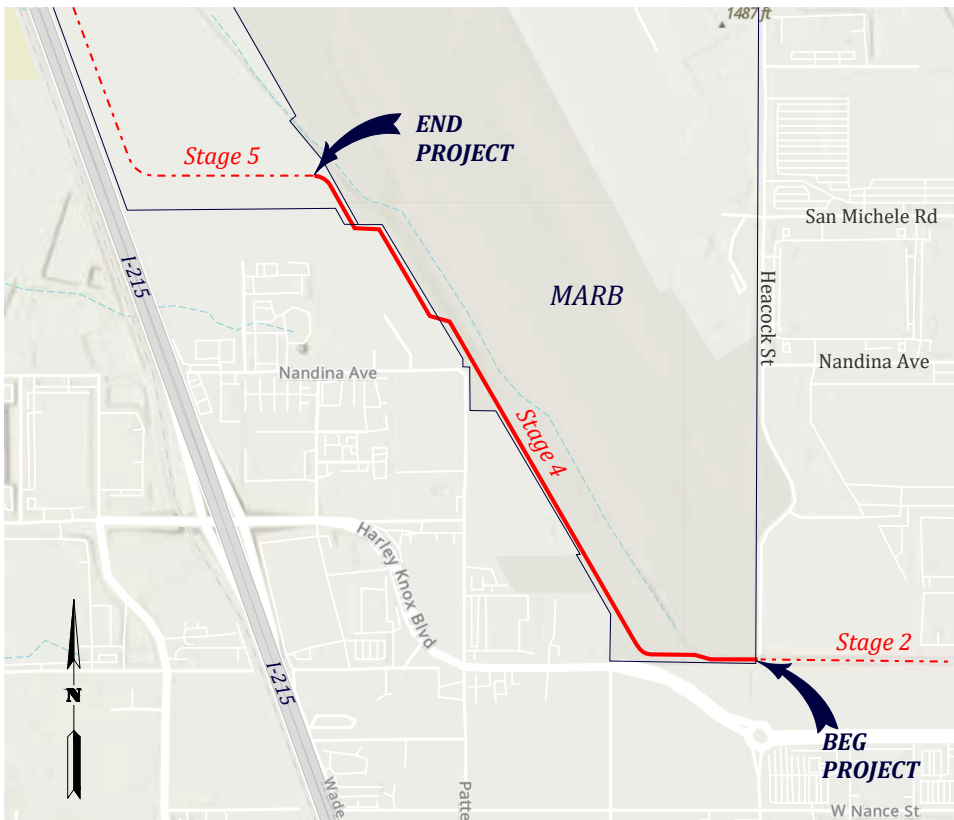
SECTION 18 PUBLIC HEARING MAP



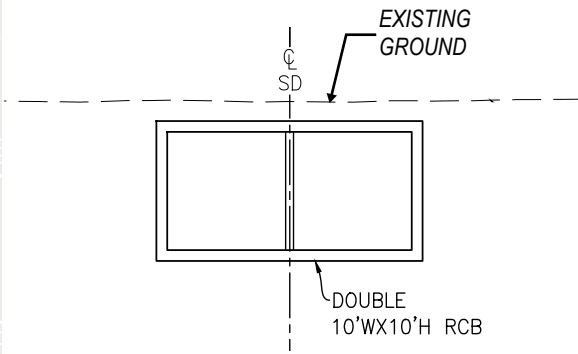
PERRIS VALLEY CHANNEL MDP LATERAL B, STAGE 4 PROJECT No. 4-0-00009 NOVEMBER 2023



VICINITY MAP
T3S, R4W, SEC.36
N.T.S.



INDEX MAP
N.T.S.



TYPICAL SECTION VIEW
N.T.S.

LEGEND

- PROPOSED PVC LATERAL B, STAGE 4 STORM DRAIN
- - - EXISTING PVC STORM DRAIN FACILITIES