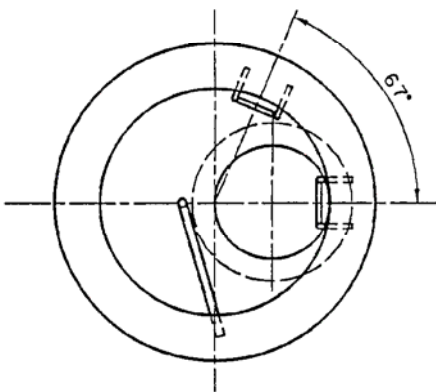
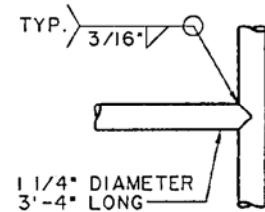


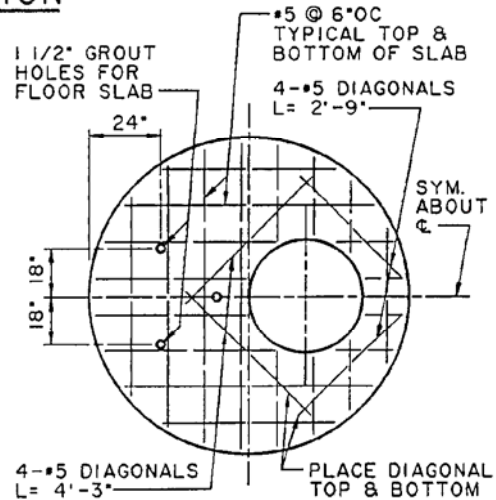
VERTICAL SECTION



SECTION A-A



DETAIL "A"
ROTATED 90°



SECTION B-B
REINFORCEMENT DETAILS
FOR FLOOR AND ROOF SLABS



RIVERSIDE COUNTY FLOOD CONTROL
AND
WATER CONSERVATION DISTRICT

APPROVED BY: *Warren D. Will Lays*

CHIEF ENGINEER

DATE: April 5, 2004

**MANHOLE SHAFT
SAFETY LEDGE**

STANDARD DRAWING NUMBER MH261
SHEET 1 OF 2