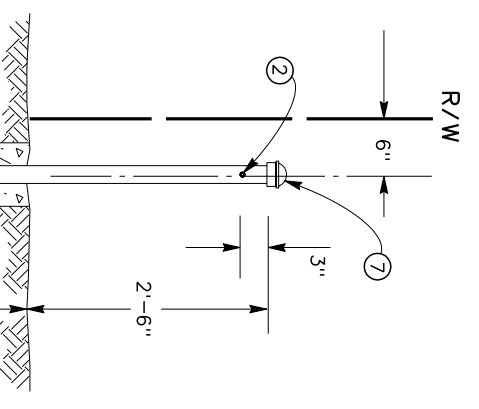


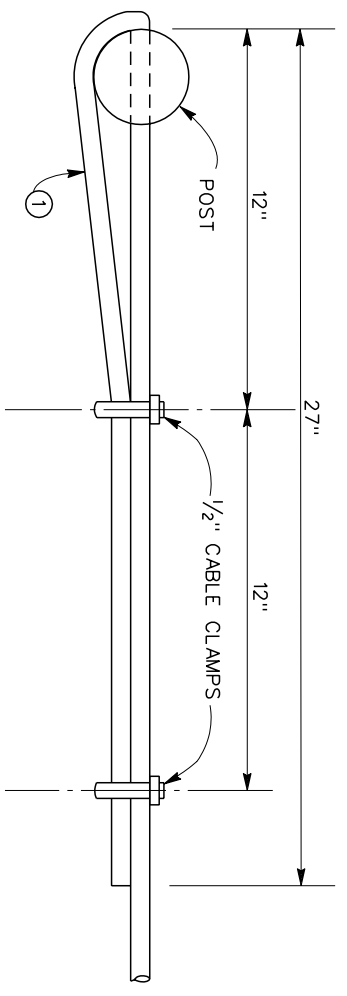
**DETAIL OF FENCING FASTENING & BRACING**

N.T.S.



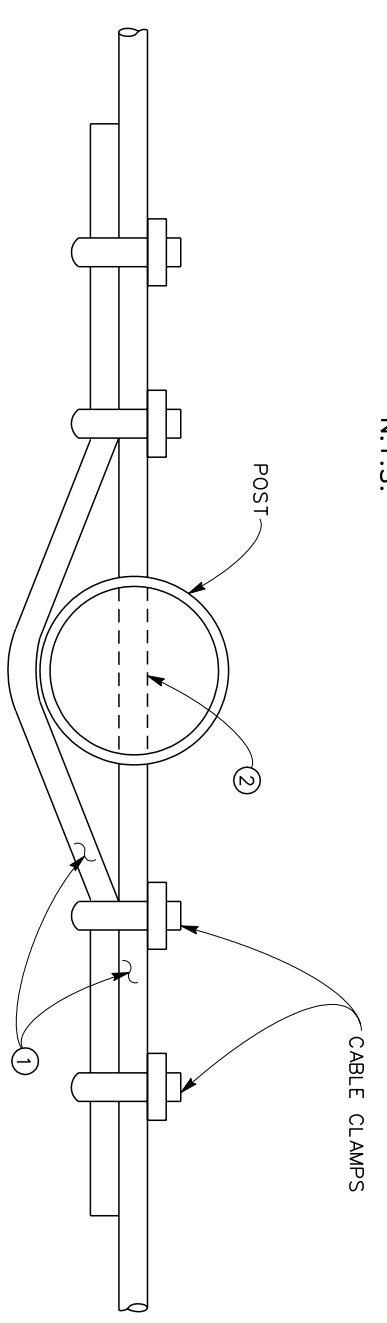
**TYPICAL SECTION**

N.T.S.



**CABLE FASTENER DETAIL**

N.T.S.



**SECTION A-A**

(PIGTAIL)  
(TYPICAL EVERY FOURTH POST)  
N.T.S.

**GENERAL NOTES**

- ① 1/2" DIAMETER CABLE.
- ② 3/4" DIAMETER HOLES FOR CABLE THRU CENTER OF POSTS. PROVIDE ADEQUATE TENSION IN THE CABLE TO MINIMIZE SAG BETWEEN SPANS.
- ③ LINE POSTS 2 3/8" O.D.
- ④ GATE, END AND CORNER POSTS 2 3/8" O.D.
- ⑤ DIAGONAL BRACE AT EVERY ANGLE POINT AND IN END SPANS 2 3/8" O.D. WELDED IN PLACE.
- ⑥ 2000 PSI (4 SACK CONC.) AT EVERY 4TH POST, EVERY ANGLE POINT, BRACE POINT AND AT ENDS.
- ⑦ CAPS ON ALL POSTS.
- ⑧ THERE SHOULD BE ENOUGH TENSION IN THE CABLE TO MINIMIZE SAG BETWEEN SPANS.
- ⑨ THE TERM "ENGINEER", WHERE IT APPEARS HEREON, SHALL BE TAKEN TO MEAN THE AUTHORIZED REPRESENTATIVE OF THE DISTRICT.
- ⑩ RAIL MAY BE USED IN PLACE OF POSTS AS APPROVED BY THE ENGINEER.
- ⑪ USED CABLE, RAIL OR POSTS MAY BE USED AS APPROVED BY THE ENGINEER. USED CABLE SHALL BE 1/2" MIN. DIA.



APPROVED BY: WATER CONSERVATION DISTRICT CHIEF ENGINEER DATE: April 5, 2004	RIVERSIDE COUNTY FLOOD CONTROL AND WATER CONSERVATION DISTRICT <b>CABLE FENCE DETAIL</b> STANDARD DRAWING NUMBER M826
--	---