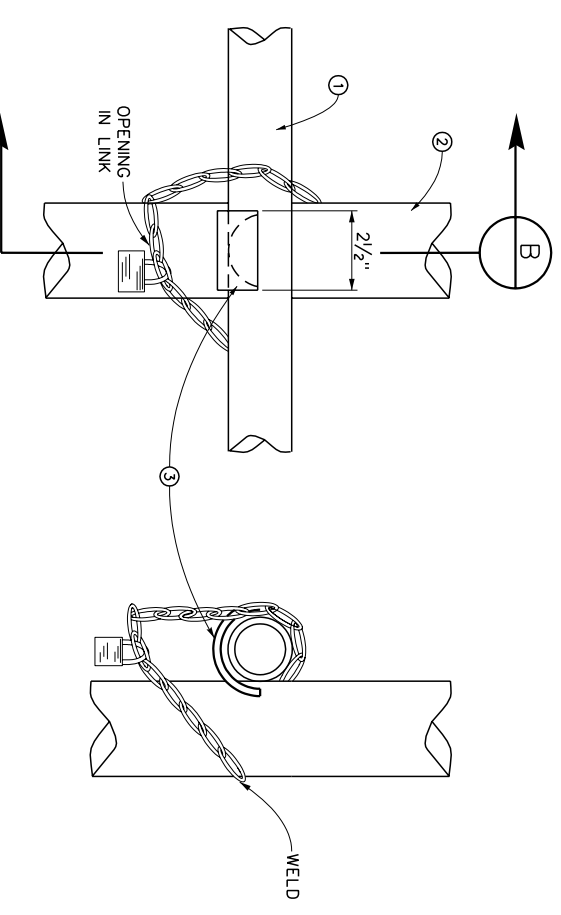
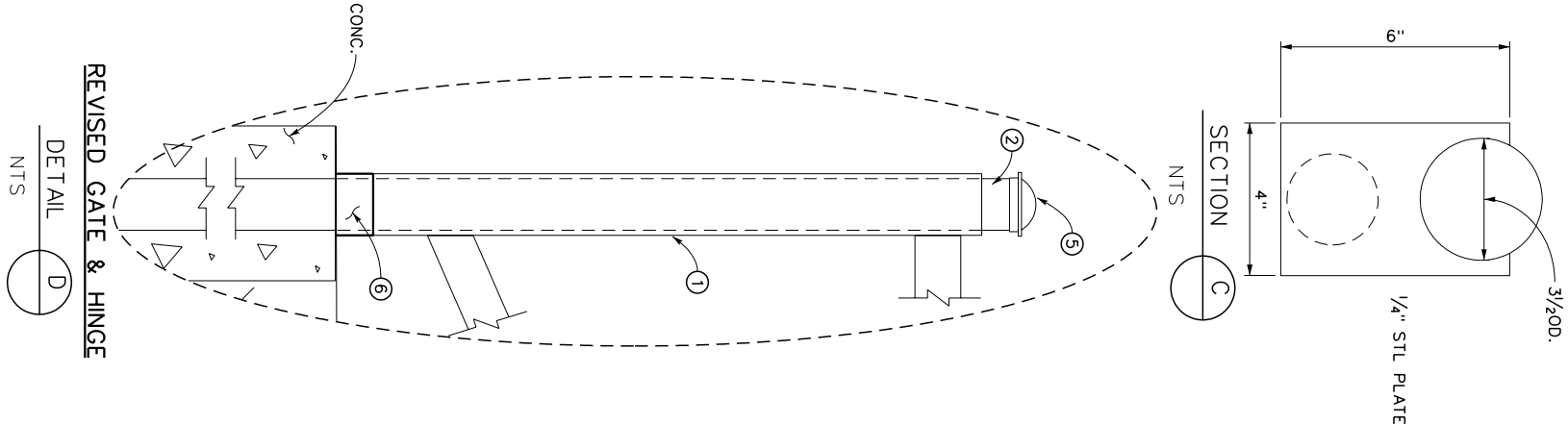


PIPE SWING GATE
FRONT VIEW
NTS



- NOTES**
- ① GALVANIZED IRON PIPE 3 1/2" O.D. WALL THICKNESS 0.318".
 - ② GALVANIZED IRON PIPE 2.875" O.D. WALL THICKNESS 0.276".
 - ③ GATE REST, ONE-HALF OF GALVANIZED IRON PIPE 3 1/2" O.D. GRIND TO FIT VERTICAL POST, FIELD WELD.
 - ④ CLASS "B" CONCRETE.
 - ⑤ POST ANCHORED IN CONCRETE SHALL HAVE CAPS.
 - ⑥ 2" FREE STANDING PIVOT SLEEVE 3/2" WALL THICKNESS 0.318".
 - ⑦ 3/8" GALVANIZED CHAIN, FIELD WELD ONE LINK TO VERTICAL POST. PROVIDE OPENING IN LINKS FOR PADLOCK AS SHOWN, CHAIN SHALL BE OF SUFFICIENT LENGTH TO ENIRCLE HORIZONTAL PIPE.
 - ⑧ MATERIALS AND CONSTRUCTION METHODS SHALL CONFORM TO THE APPLICABLE PORTION OF SECTION 206-6, 210-3 AND 304-3 OF "STANDARD SPECIFICATIONS FOR PUBLIC WORKS CONSTRUCTION," LATEST EDITION.



REVISED GATE & HINGE
DETAIL D
NTS



RIVERSIDE COUNTY FLOOD CONTROL
AND
WATER CONSERVATION DISTRICT
APPROVED BY: *Warren D. Williams*
CHIEF ENGINEER
DATE: April 5, 2004
R.C.E. NO. 32336

PIPE SWING GATE
STANDARD DRAWING NUMBER M820