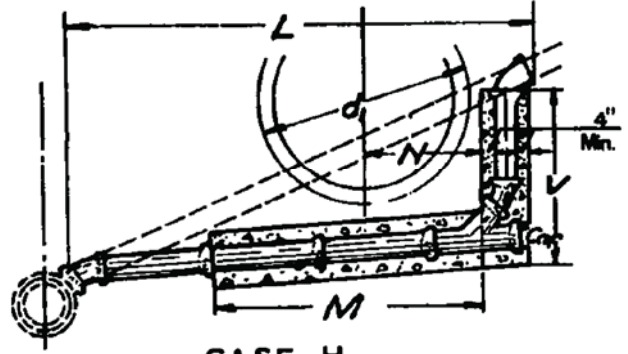


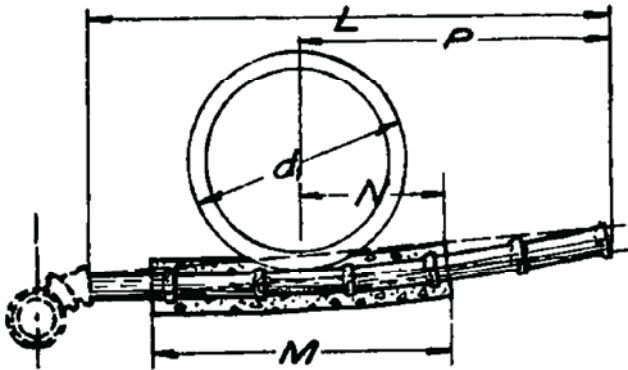
CASE-G

Below Storm Drain to Chimney - Specialists required: 2-4" $\frac{1}{8}$ Bends.



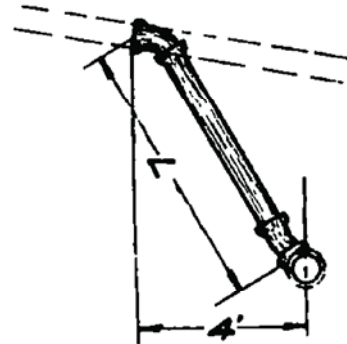
CASE-H

Below Storm Drain to Y - Specialists required: 3-4" $\frac{1}{8}$ Bends, 1-4"x4" Y.



CASE-K

Below Storm Drain to House Connection. Slope slightly modified.



CASE-R

Connection with New Sewer - Specialists required: 2-4" $\frac{1}{8}$ Bends.

NOTES

1. Existing pipes are indicated by broken lines
2. Pipes to be constructed are indicated by full lines.
3. All pipes shall be 4" internal diameter, or shall match existing lateral.
4. All bends shall be 4" - $\frac{1}{8}$ bends unless specified otherwise.
5. Concrete reinforcement, cross section shown sheet 1 shall be used on all pipes to be constructed under storm drain, top portion within 1' of storm drain to be omitted.
6. Dimensions:
 - L is specified on plan as the average total length.
 - M = (d + 24") less enough to avoid a fraction of a foot.
 - N = $\frac{1}{2}$ M, except where specified otherwise on plan.
 - P used for CASE-K, is specified where L does not extend to the bend.
 - V, used for CASE-H, is specified to the nearest foot and in summary, is itemized as Concrete Reinforcement for 6" pipe.
7. A 4" Saddle, where used, shall be connected to the pipe constituting the existing Y or T, or to the next lower pipe length.

CITY OF RIV. STD. NO. 454
CITY OF L.A. STD. NO. 29810



RIVERSIDE COUNTY FLOOD CONTROL AND WATER CONSERVATION DISTRICT	
APPROVED BY: <i>Warren D. Will</i>	
CHIEF ENGINEER	
DATE: April 5, 2004	R.C.E. NO. 32336

**REMODELING DETAILS
HOUSE CONNECTION
SEWERS**

STANDARD DRAWING NUMBER M808
SHEET 2 OF 2