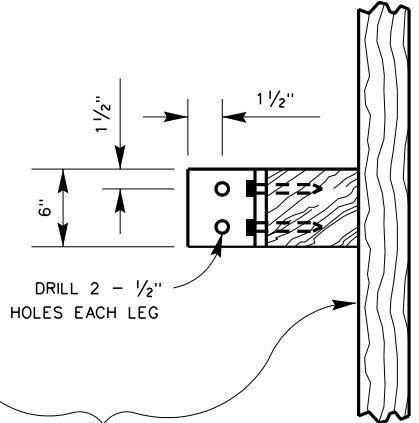


KEYED CONSTRUCTION JOINT  
 #4 @ 12" - 3' LONG WITH  
 EXPOSED ENDS HEAVILY GREASED

DETAIL A



SECTION A

NOTES

1. NAIL 3" X 12" TO VERTICAL SUPPORTS WITH 40d GALVANIZED NAILS 3" CENTER TO CENTER.
2. ALL LUMBER SHALL BE CREOSOTED DOUGLAS FIR, 1500 f CONSTRUCTION GRADE.



RIVERSIDE COUNTY FLOOD CONTROL AND WATER CONSERVATION DISTRICT	
APPROVED BY: <i>Warren D. Will Lays</i>	
CHIEF ENGINEER	
DATE: Dec. 18, 2003	R.C.E. NO. 32336

TIMBER BULKHEADS

STANDARD DRAWING NUMBER M805