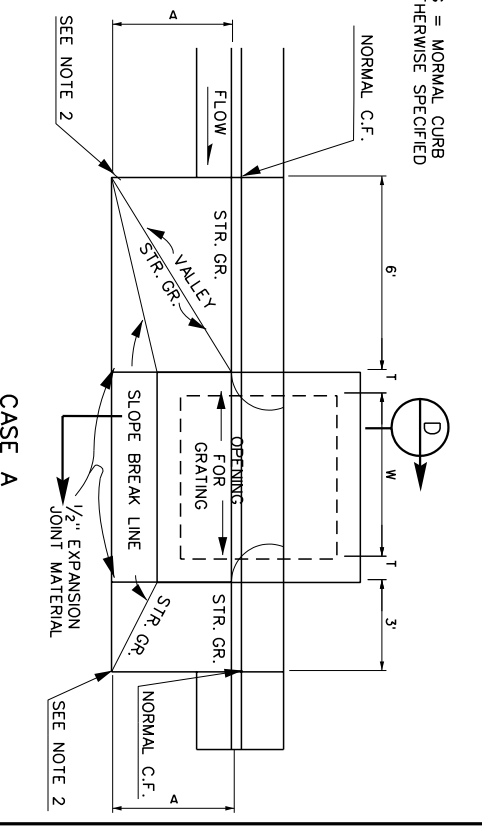
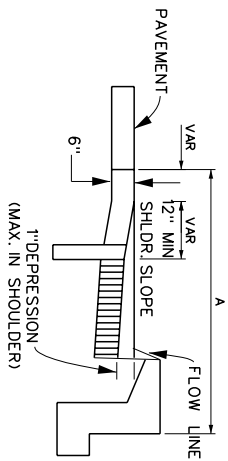


CATCH BASIN OPENING = NORMAL CURB FACE + 4" UNLESS OTHERWISE SPECIFIED

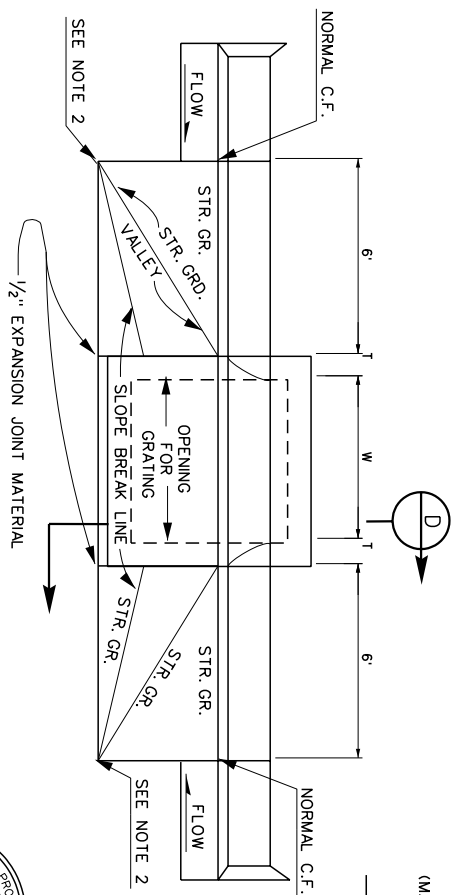
CASE B



CASE A



SECTION D-D



CASE C

NOTES

1. LOCAL DEPRESSION SHALL BE:
 - (A) CASE "A" FOR CATCH BASIN NO. 4 (SEE STANDARD DRAWING CB 101 UNLESS OTHERWISE SPECIFIED)
 - (B) CASE "B" FOR CATCH BASIN NO. 6 (SEE STANDARD DRAWING CB 102) UNLESS OTHERWISE SPECIFIED.
2. ELEVATIONS AT OUTER CORNERS SHOWN ON PROJECT DRAWINGS, IF NO ELEVATIONS ARE SPECIFIED, THE OUTER EDGE OF LOCAL DEPRESSION SHALL CONFORM TO FINISHED STREET SURFACE.
3. A = 4" UNLESS OTHERWISE SPECIFIED.
T = SEE STANDARD DRAWING CB101 OR CB102
W = SEE STANDARD DRAWING CB101 OR CB102
4. WHERE NO CURB EXIST, CURBS SHALL BE CONSTRUCTED BETWEEN ENDS OF LOCAL DEPRESSION. CURB SECTION SHALL CONFORM TO THAT OF CONTROLLING AGENCY.
5. DEPRESSION SHALL BE CLASS "B" CONCRETE



RIVERSIDE COUNTY FLOOD CONTROL AND WATER CONSERVATION DISTRICT
 APPROVED BY: *[Signature]*
 CHIEF ENGINEER
 DATE: April 5, 2004

LOCAL DEPRESSION NO. 3
 STANDARD DRAWING NUMBER LD202