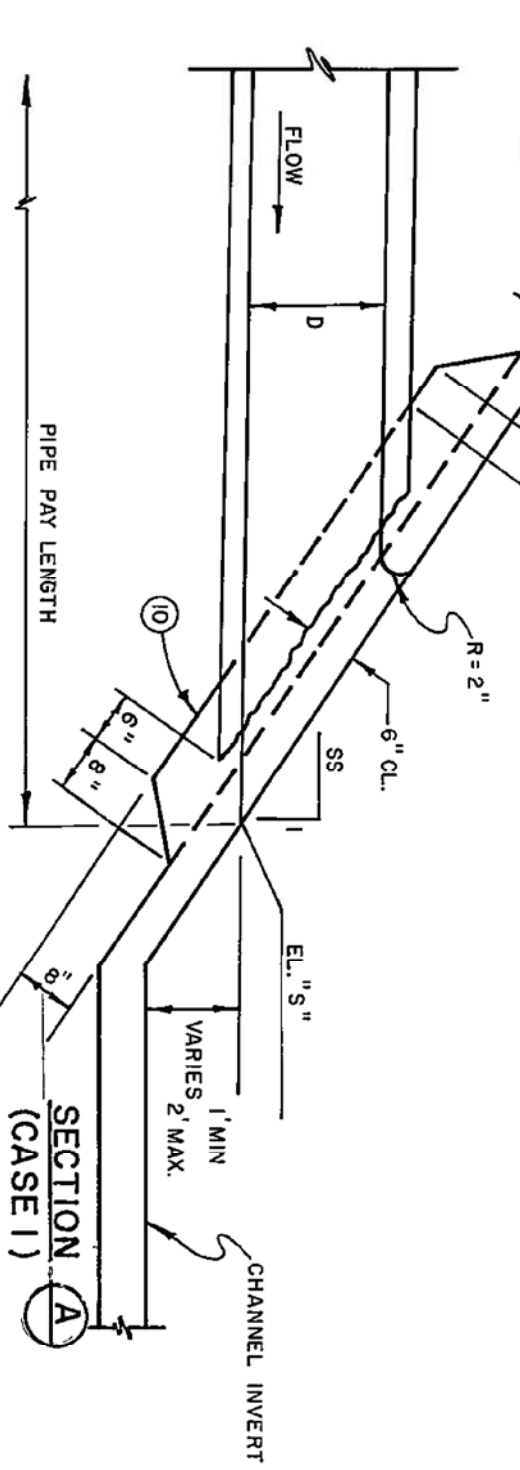
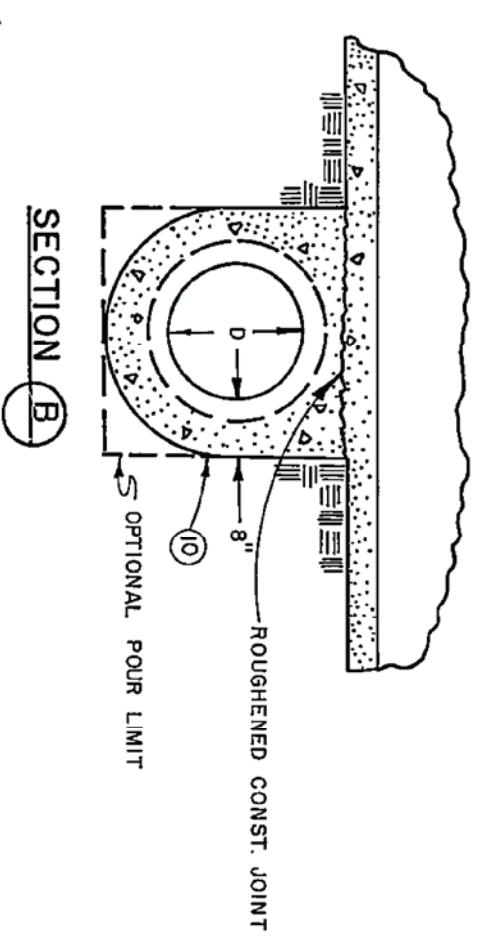


NOTES (CONTINUED):

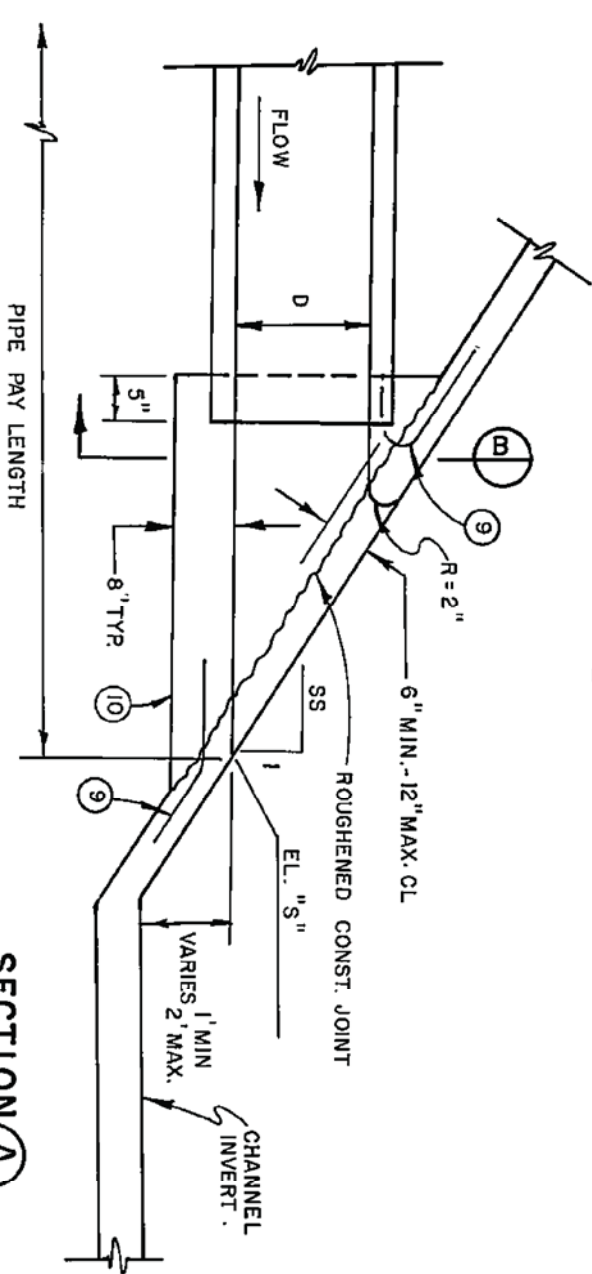
(10) NO PAYMENT WILL BE MADE FOR CONCRETE REQUIRED FOR U.S. NO. 7. PAYMENT WILL BE MADE FOR CHANNEL LINING OF THE SPECIFIED THICKNESS WITHOUT DEDUCTION FOR THE U.S. OPENING.



SECTION A
(CASE 1)



SECTION B



SECTION A
(CASE 2)

- NOTES:**
1. THE CONTRACTOR HAS THE OPTION TO CONSTRUCT CASE 1 OR CASE 2 UNLESS OTHERWISE NOTED.
 2. HORIZONTAL ANGLE OF CONFLUENCE, A, MUST BE BETWEEN 60° AND 90°.
 3. VALUES FOR D, SS, A, C, EL. "S", AND STA. "X" SHALL BE SHOWN ON PROJECT DRAWINGS.
 4. D SHALL NOT EXCEED 24".
 5. SIDE SLOPE, SS, SHALL NOT BE FLATTER THAN 2:1.
 6. ALL CONCRETE SHALL BE CLASS A.
 7. JUNCTION STRUCTURE NO. 7 TO BE USED ON TRAPEZOIDAL CHANNELS ONLY.
 8. CASE 1 SHALL BE MONOLITHICALLY POURED WITH CHANNEL AND CASE 2 SHALL BE POURED SEPARATE FROM THE CHANNEL.
 9. 4-#4x2' TIES SPACED EQUALLY, TYP.



RIVERSIDE COUNTY FLOOD CONTROL
AND
WATER CONSERVATION DISTRICT
APPROVED BY: *Warren D. Williams*
DATE: April 5, 2004

JUNCTION STRUCTURE
NO. 7
STANDARD DRAWING NUMBER JS232