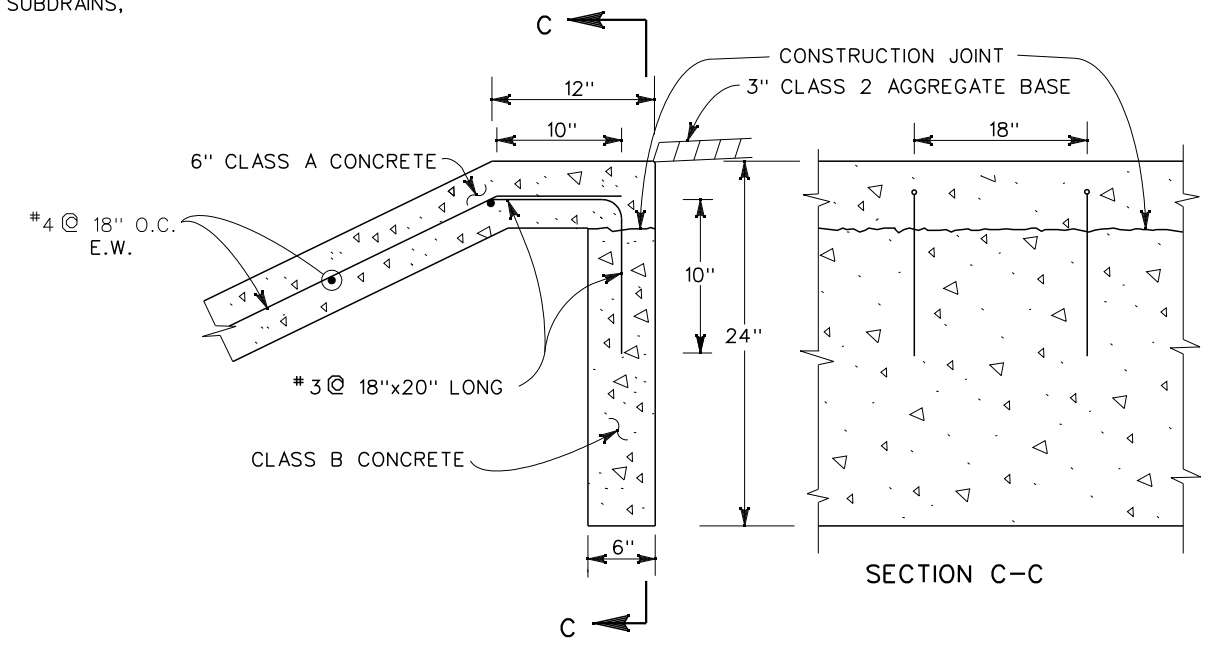
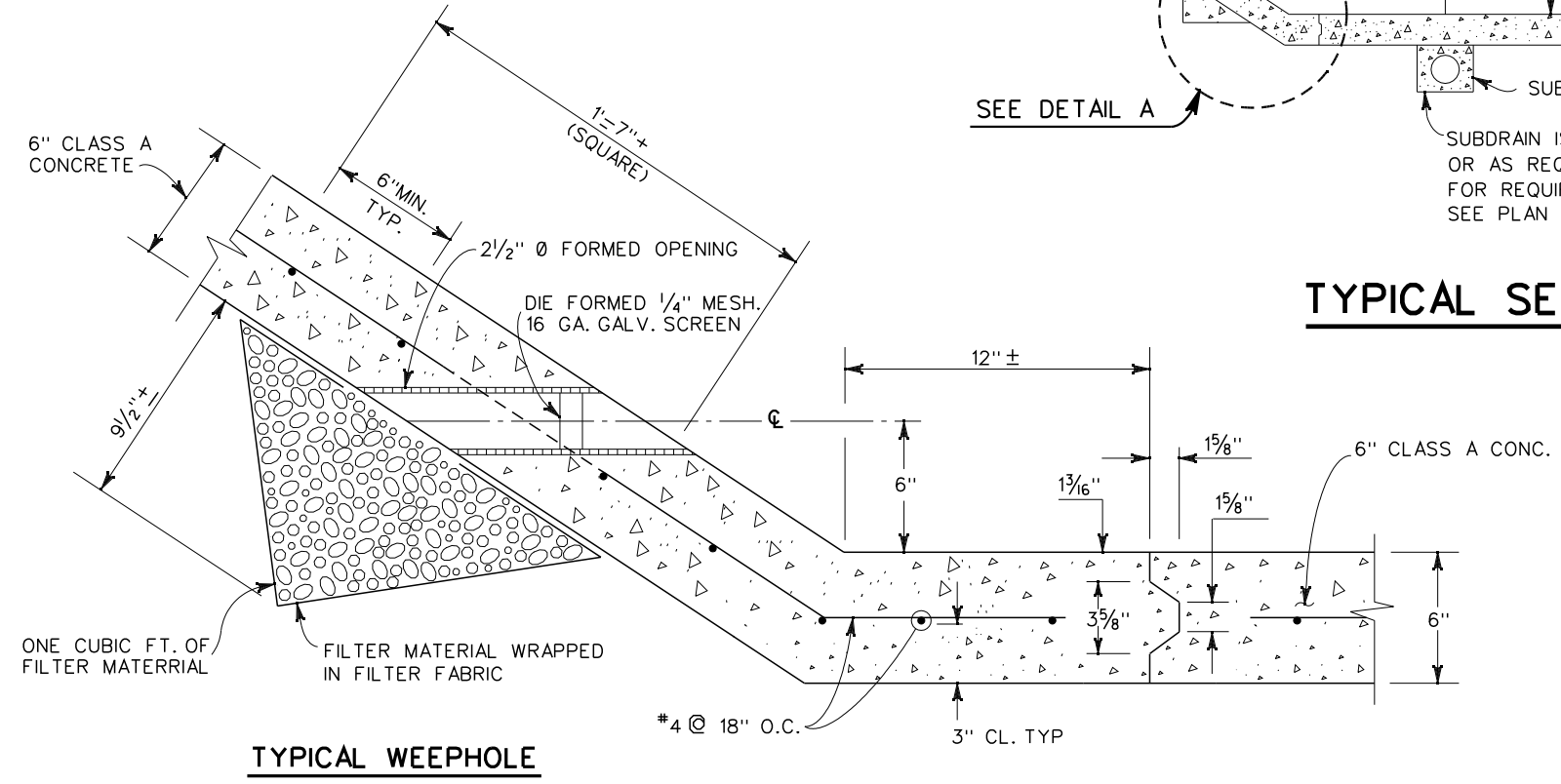


TYPICAL SECTION



RIVERSIDE COUNTY FLOOD CONTROL
AND
WATER CONSERVATION DISTRICT

APPROVED BY:
Warren D. Williams
CHIEF ENGINEER

DATE: APR. 21, 2005

R.C.E. NO. 32336

TRAPEZOIDAL CHANNEL
STRUCTURAL DETAILS

STANDARD DRAWING NUMBER CH326