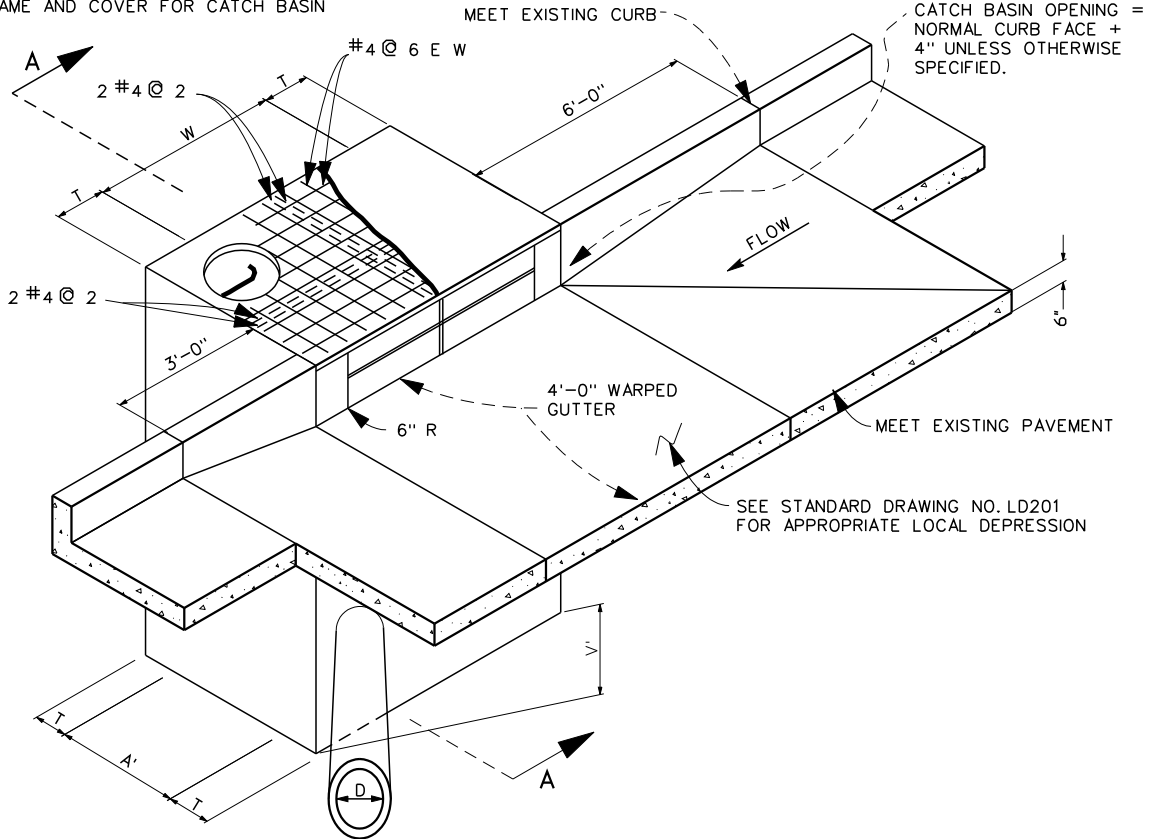
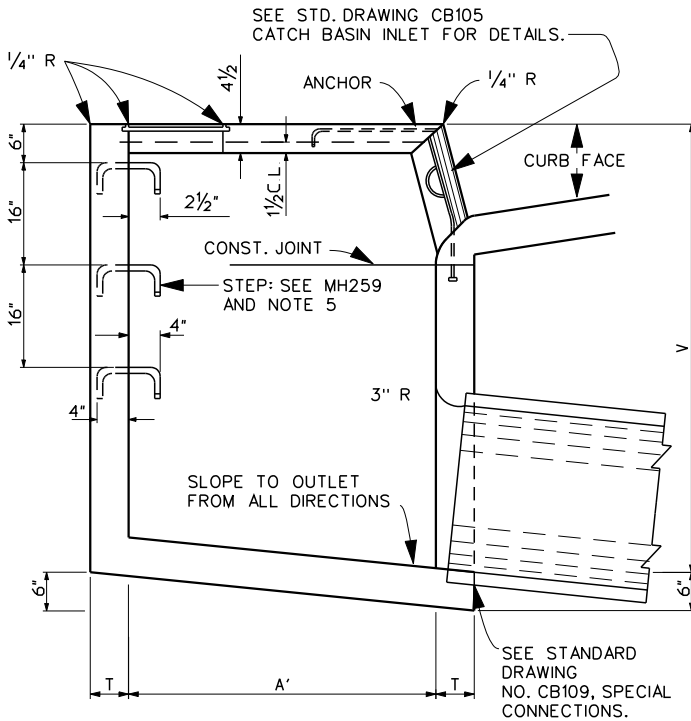


SEE STANDARD CB NO. 103
MANHOLE FRAME AND COVER FOR CATCH BASIN



PERSPECTIVE OF
CATCH BASIN NO. 1



SECTION A-A

NOTES

- DIMENSIONS: UNLESS OTHERWISE SPECIFIED
 $V = 6'' @ W = 7', 9'' @ W = 14', 12'' @ W = 21'$
 $V =$ SHALL BE SHOWN ON THE PLANS.
 $W =$ SHALL BE SHOWN ON THE PLANS
 (7 FOOT MIN.)
 $T = 6''$ IF V IS 4' OR LESS.
 $T = 8''$ IF V IS LESS THAN 8'.
 $T = 10''$ IF V IS 8' OR MORE.
 $D = 18''$ UNLESS OTHERWISE SPECIFIED.
 $A' = 38''$ UNLESS OTHERWISE SPECIFIED.
- STRUCTURAL CONCRETE SHALL BE CLASS "A" P.C.C. (6 SACK)
- THE REINFORCING STEEL SHALL BE NUMBER 4 DEFORMED BARS. CLEARANCE SHALL BE 1/2" FROM THE BOTTOM OF THE SLAB. SEE NOTE 7.
- THE SURFACE OF ALL EXPOSED CONCRETE SHALL CONFORM TO SLOPE, GRADE, COLOR, FINISH AND SCORING IN THE EXISTING OR PROPOSED CURB & WALK ADJACENT TO THE BASIN. THE BASIN FLOOR SHALL BE GIVEN A TIGHT WOOD FLOAT FINISH. CURVATURE OF THE LIP AND SIDEWALLS AT THE GUTTER OPENING SHALL NOT BE MADE BY PLASTERING. THE OUTLET PIPE SHALL BE TRIMMED TO FINAL SHAPE AND LENGTH BEFORE THE CONCRETE IS POURED.
- STEPS:
 3/4" PLAIN ROUND GALVANIZED STEEL STEPS SHALL BE INSTALLED 16" APART WHEN V EXCEEDS 4'-6". THE TOP STEP SHALL BE 6" BELOW THE TOP SURFACE AND SHALL BE 2 1/2" CLEAR FROM THE WALL. ALL OTHER STEPS SHALL BE 4" CLEAR FROM THE WALL. ONLY ONE STEP 12" FROM THE BOTTOM SHALL BE INSTALLED IF V IS 4'-6" OR LESS. ALL STEPS SHALL BE ANCHORED NOT LESS THAN 4" INTO THE WALL OF THE BASIN.
- CURB, GUTTER AND LOCAL DEPRESSIONS SHALL BE CLASS "B" CONCRETE.
- SEE STANDARD DRAWING CB106 FOR WALL & FLOOR STEEL REINFORCING.

L.A.C.F.C.D. No. 2-D162, 2-D163



RIVERSIDE COUNTY FLOOD CONTROL AND WATER CONSERVATION DISTRICT	
APPROVED BY: <i>Warren D. Williams</i>	
CHIEF ENGINEER	
DATE: JAN. 10, 2005	R.E. NO. 32336

CATCH BASIN
NO. 1

STANDARD DRAWING NUMBER CB100