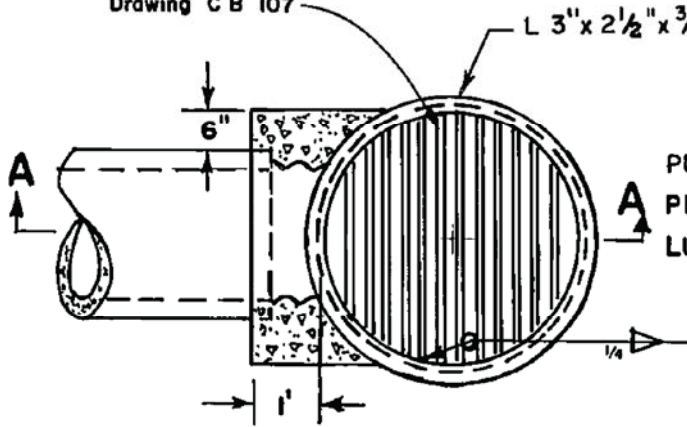
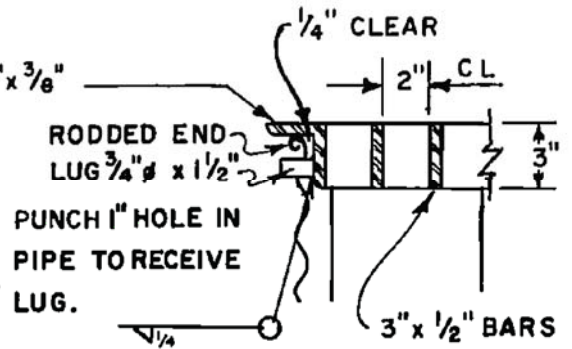


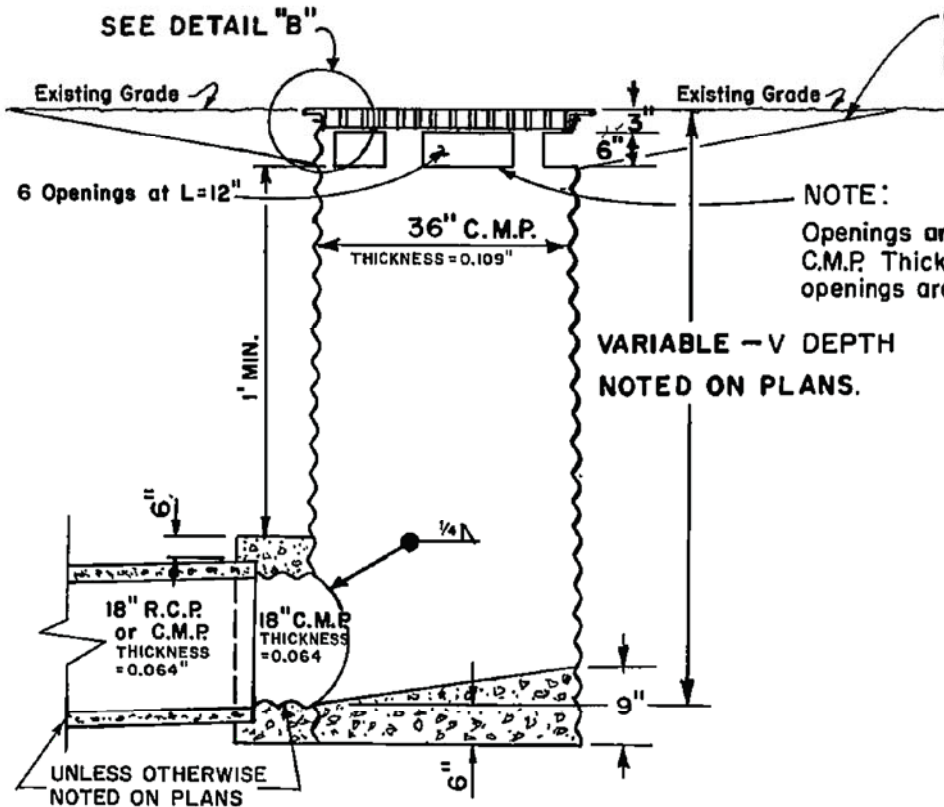
GRATE (or checkered \square optional) See Standard Drawing C B 107



PLAN



DETAIL "B"



SECTION A-A

NOTES:

1. PLACE GRATE BARS PARALLEL TO FLOW.
2. GRATE AND FRAME SHALL BE GALVANIZED.

NOTE:

Openings are optional. Use 36" C.M.P. Thickness = 0.064 when openings are omitted.

VARIABLE - V DEPTH NOTED ON PLANS.

UNLESS OTHERWISE NOTED ON PLANS



RIVERSIDE COUNTY FLOOD CONTROL AND WATER CONSERVATION DISTRICT
 APPROVED BY: *Warren D. Will*
 CHIEF ENGINEER
 DATE: April 5, 2004

INLET TYPE X (GRATE DETAILS) FOR TEMPORARY USE ONLY
 STANDARD DRAWING NUMBER CB108

R.C.E. NO. 32336