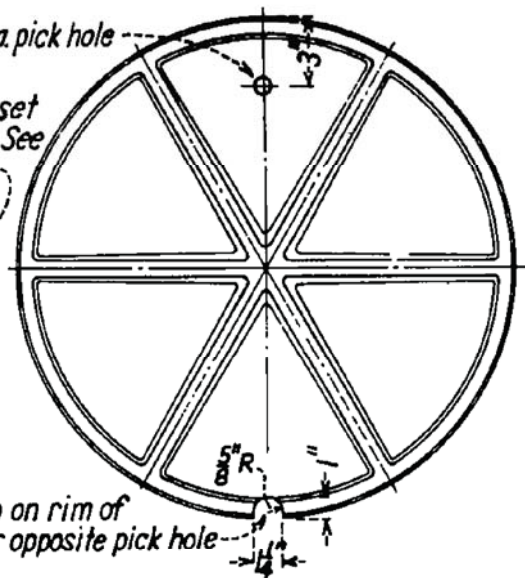
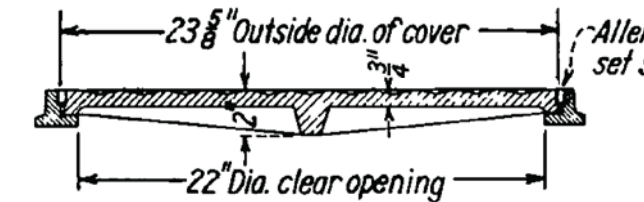


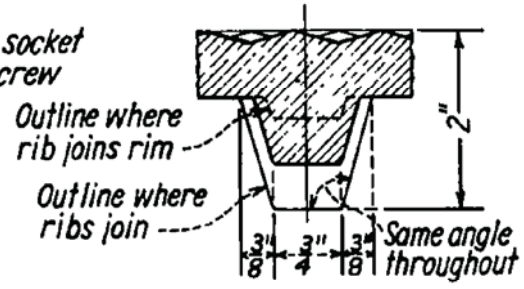
**TOP OF MANHOLE FRAME & COVER**  
TOTAL WT. = 130 lbs.



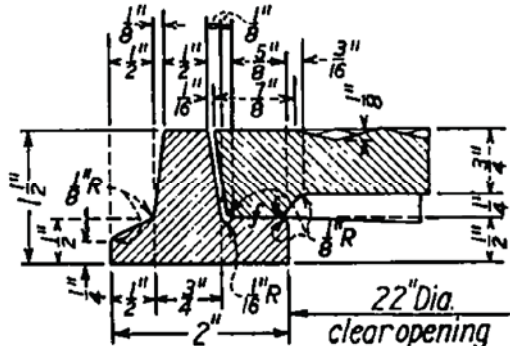
**BOTTOM OF MANHOLE COVER**



**CROSS SECTION THRU FRAME & COVER**



**CROSS SECTION THRU RIB AT MID RADIUS**



**CROSS SECTION THRU RIM**

**NOTES**

1. Frame and cover shall be gray cast iron conforming to the latest A.S.T.M. standard A 48, class 30 or better. Galvanize per A.S.T.M. A 385.
2. Install two 3/4" x 3/4" Allen socket set screws, 90° to pick hole, in holes drilled and tapped 1" in depth. Galvanize per A.S.T.M. A 153.
3. Frame and cover shall be tested for accuracy of fit and shall be marked in sets before delivery. Retap frame as required to suit set screws.

CITY OF RIV. STD. NO. B-2189  
L.A.C.F.C.D. STD. NO. 2-D156



RIVERSIDE COUNTY FLOOD CONTROL AND WATER CONSERVATION DISTRICT

APPROVED BY: *Warren D. Williams*

CHIEF ENGINEER

DATE: April 5, 2004

**MANHOLE FRAME & COVER FOR CATCH BASINS**

STANDARD DRAWING NUMBER CB103

R.C.E. NO. 32336