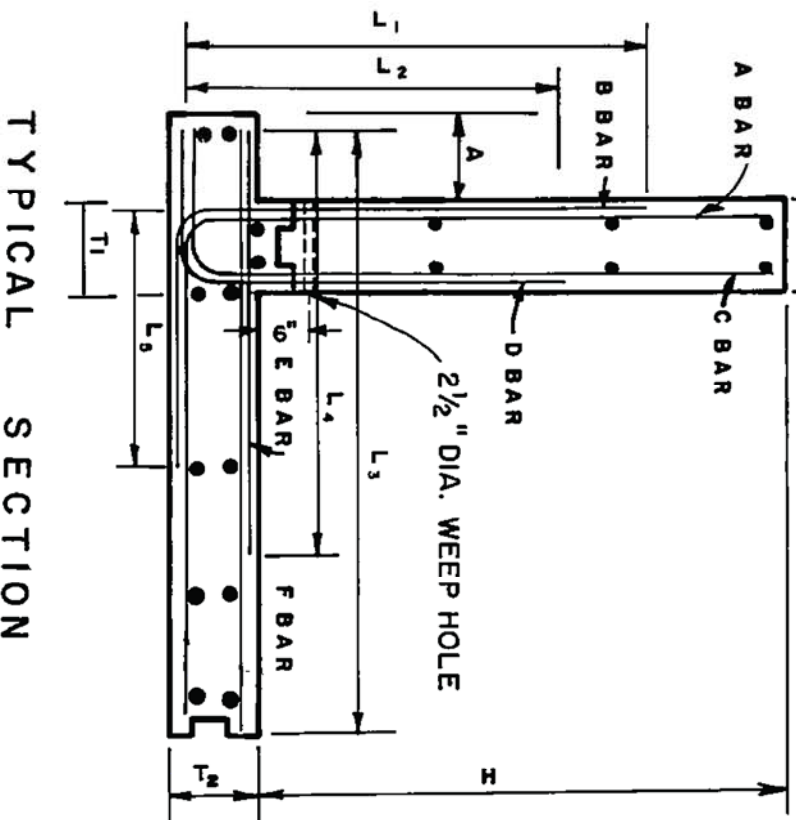


DETAIL SCHEDULE

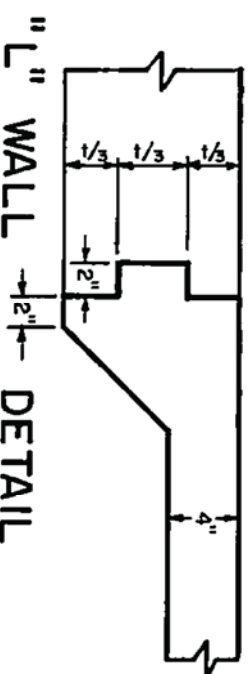
DATA	STATION																								
	A	B	C	D	E	F	G	H	I	J	K	L	M	N	O	P	Q	R	S	T	U	V	W	X	
WIDTH W																									
HEIGHT H																									
WALL T ₁																									
BOTTOM SLAB T ₂																									
HEEL A																									
A BARS																									
B BARS																									
C BARS																									
D BARS																									
E BARS																									
F BARS																									
L ₁																									
L ₂																									
L ₃																									
L ₄																									
L ₅																									
CONC. CY/ft.																									
STEEL lbs./ft.																									
REMARKS																									

LOCATION SCHEDULE

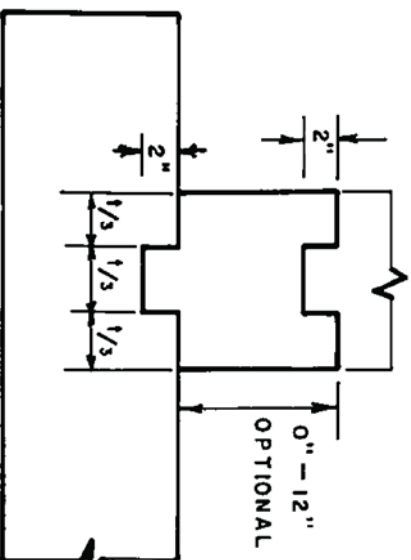
STATION		CHANNEL
FROM	TO	



TYPICAL SECTION



"L" WALL DETAIL



CORNER JOINT

NOTES

1. Structural concrete shall be Class "A".
2. All longitudinal bars shall be #4 @ 18 inches. Place bars in bottom slab symmetrically about centerline. Place bars in walls starting at top with 2 inches of clear cover.
3. Clear cover for steel shall be 2 inches each face for walls and 3 inches each face for bottom slab.
4. Steel is dimensioned to back of bar bend.
5. For construction on curves, straight transverse bars in slab shall be aligned radially with spacing measured at centerline. For L-bars in walls, spacing shall be measured between vertical legs of bars.
6. All transverse construction joints shall be in a vertical plane normal to the centerline and the spacing thereof shall not exceed 50 feet or be less than 10 feet. Continuous keyways (in both slabs and walls) conforming to longitudinal keyway shown for bottom corner joint will be required at all joints with #4 x 3 feet long dowels at 12 inch spacing placed at the center of sections with 18 inches wrapped to prevent bond. A complete curtain of transverse steel shall be placed 3 inches from each face of the joint and longitudinal steel will not be continuous through the joint.
7. Weep holes shall be formed as shown at a spacing of 10 feet with one cubic foot of filter material wrapped in filter fabric placed at each hole.
8. All splices are subject to approval by the Engineer.
9. All quantities shown are approximate.

X STANDARD FORMAT TO BE USED AS FULL SIZE DRAWINGS



RIVERSIDE COUNTY FLOOD CONTROL
AND
WATER CONSERVATION DISTRICT

APPROVED BY: WARREN D. WILLIAMS
REGISTERED PROFESSIONAL ENGINEER
CIVIL
No. 32336
Exp. 12-31-04

DATE: April 5, 2004

R.C.E. NO. 32336

STANDARD DRAWING NUMBER CH328

"L" WALL STEEL PLACEMENT DIAGRAM